

SKIN CLOSURE FOR DERMATOLOGY PRACTICES



DermaClip® Closure of Excision on 68 y.o. Patient

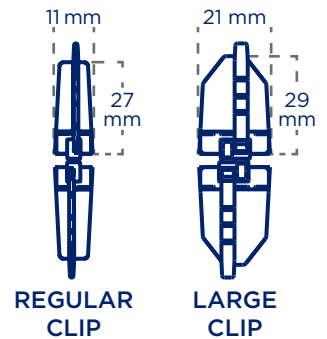
NON-INVASIVE SKIN CLOSURE - ALTERNATIVE TO SUTURES, STAPLES & GLUES

DermaCLIP® enhances skin closure by closing incisions quickly and *shortening closure times up to 83%*,¹ while still *creating tension-free skin edge eversion*. The device can also be used for temporary or final closure, as the device doesn't damage the skin. Easy to learn, quick to apply, and effective in use, the DermaCLIP® device is optimizing skin closure.

2 CLIP SIZES

2 LENGTHS
(1" & 3")

STACKABLE &
COMBINABLE



79-year-old, Anticoagulated | Skin Flap, Bleeding for 24 Hours | Closed @ Home Visit



Day 0

7 Wks

5 Mo.

Day 1

6 Wks

5 Mo.

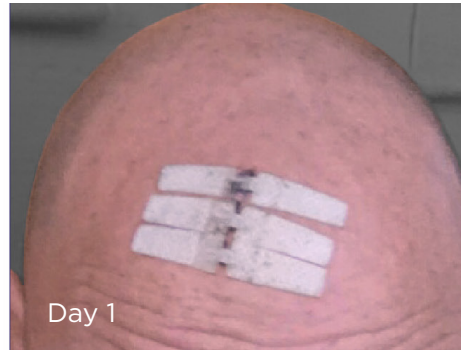


84-Year-Old | Traumatic Arm Laceration | Closed @ Home Visit

DermaCLIP® has been used on all types of wounds and incisions
in all different environments, from office to ER to OR

1. Data on File.

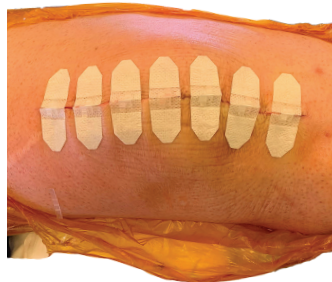
USED IN MOST ENVIRONMENTS & A WIDE VARIETY OF PROCEDURES



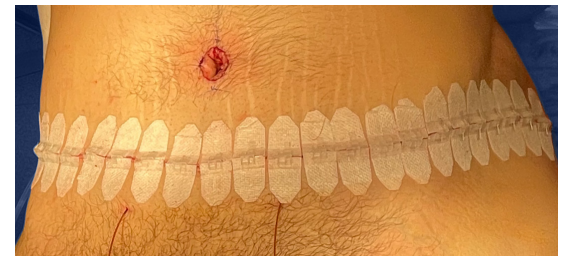
Traumatic Scalp Laceration | Emergency Medicine, Field Closure



Traumatic Laceration | ED



Total Knee Arthroplasty
Orthopaedic Surgery



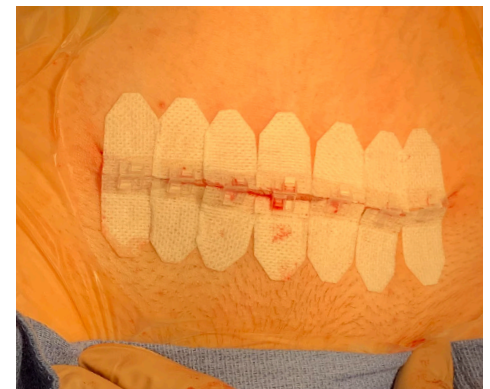
Abdominoplasty | Plastic Surgery



Pacemaker Implant
Cardiac Cath Lab



Breast Augmentation @ 7 Weeks
Plastic Surgery



C-Section
OB-GYN, General Surgery

Optimizing the Process Wherever Skin is Closed

**No Needles,
No Punctures,
No Mess**



QUICK & EASY

Easier than sutures, *faster* than glues with *less mess*
Eliminates needles & the associated *puncture trauma*
*Reduces closure time by up to 83%*¹

VERSATILE

Usable on *most skin types*
Works on *curved wounds* & those with *tension*

PATIENT SATISFACTION

Patients reported *reduced pain & trauma of closure*
Easy to remove, no follow up visit required

ENHANCED CLINICAL RESULTS

Maintains *wound approximation & effects eversion*
Repeatable results, faster closure, limited exposure
Great outcomes without a Plastic Surgeon

EVERSION

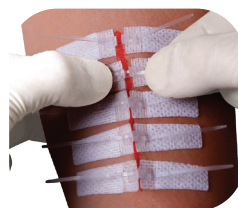
Tension-Free Eversion
"The Gold Standard"

- + Reduces wound-edge tension
- + Increases hemostasis
- + Increases perfusion

= **Better Cosmetic Outcomes**



Place & Pull



SAVE TIME & MONEY. WWW.DERMACLIP.COM

1. Data on File. 2. Glues only indicated for wounds under 5 cm (2") without subcuticular support.

Time Savings = ↑ Throughput & ↓ Cost

Cost¹

(all values \$)

	1" Laceration, ED			3" Laceration, ED			6" Incision, OR		
	DermaCLIP	Suture	Glue	DermaCLIP	Suture	ZipLine ²	DermaCLIP	Suture	Staple
Material Costs:	19	20-46	18-28	29	20-46	82	56	11-23	16-48
Facility / Staff Costs:	8	63	39	11	75	11	106	920	234
Total Costs:	19	83-109	57-67	40	95-121	93	162	931-943	250-282
DermaCLIP® Savings:		~ \$ 77	~ \$ 43		~ \$ 68	~ \$ 53		~ \$ 775	~ \$ 104

Time¹

(all values minutes)

	1" Laceration, ED			3" Laceration, ED			6" Incision, OR		
	DermaCLIP	Suture	Glue	DermaCLIP	Suture	ZipLine ²	DermaCLIP	Suture	Staple
Procedure Time:	6	36	33	7	40	7	1.6	13.7	2.7
Removal Time:	-	5	-	-	5	-	-	5.0	15.0
Total Time:	6	41	33	7	45	7	1.6	18.7	17.7
DermaCLIP® Savings:		35	27		38			17.1	16.1

A Robust Alternative

	DERMACLIP	SUTURES	STAPLES	GLUES
Achieves wound edge eversion	●	◐		
Can close wounds under tension	●	●	●	
Can be used on wet wounds	●	●	●	
Disperses wound tension to avoid shredding	●			●
Applies easily in seconds	●		◐	
No punctures / anesthetic / needle-stick risk	●			◐
No "Railroad Track" scarring	●			●
No removal visit required	●	◐		●
Cannot get embedded with prolonged wear	●			●

1. Data on File. 2. ZipLine device substituted for skin glues, as skin glues are indicated for use on wounds less than 5 cm. ZipLine device price based on price list.